

RISH EM 3490 DS Dual Source Energy Meter (With All Display Parameters)

Application :

RISH EM 3490 DS measures important electrical parameters of Utility (in normal mode) & Generators (in Power back up) in three phase and single phase Network & replaces the multiple analog panel meters. It measures electrical parameters like AC current, Voltage, frequency, Active energy import. The instrument has optional pulse output as one for Utility and another for Generator.

Product Features:

Dual Source Energy Measurements :

Rish EM 3490 DS features two energy integrator Utility & Generator. In normal operation meter accumulates energy counts in utility register & when utility shutdowns and control input signal of (10 to 60V DC/ 20 to 300V AC) is present on generator sensor energy starts accumulating in Generator register.

On site programmable PT/CT ratios:

It is possible to program primary of external potential Transformer (PT), primary of external Current Transformer (CT) on site locally via front panel keys by entering into Programming mode or remotely via MODBUS (RS485)

User selectable PT Secondary

The secondary of external potential Transformer (PT) can be programmed on locally via front panel keys by entering into Programming mode or remotely via MODBUS (Rs485)

User selectable 3 phase 3W or 4W

User can program on site the network connection as either 3 Phase 3 Wire or 4 Wire locally via front panel keys by entering into Programming mode or remotely via MODBUS (RS485). For single phase applications, single phase version is available.

Low back depth:

The instrument has very low back depth (behind the panel) of less than 80 mm in spite of optional features like pulse output Onsite

selection of Auto scroll / Fixed Screen

User can set the display in auto scrolling mode or fixed screen mode locally via front panel keys by entering into Programming mode or remotely via MODBUS (RS485).

True RMS measurement

The instrument measures distorted waveform up to 15th Harmonic.

High brightness 2 line 7 digits LED display:

Simultaneous displays Utility and Generator parameters.

Parameter Screen recall:

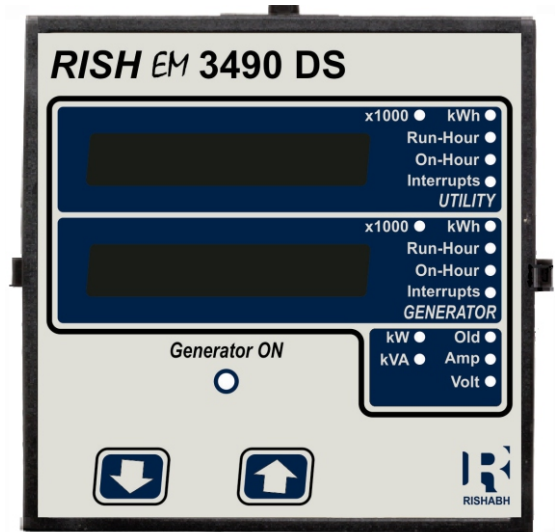
In case of power failure, the instrument memorizes the last displayed screen. The displayed screen will get memorized only if user keeps this screen for minimum 40 sec duration before power failure for fixed screen mode.

User Assignable Registers for MODBUS: Customer can assign MODBUS register address as per his need for faster response time.

Hour Run, ON Hour, Number of Interruptions:

Hour run records the number of hours load is connected. ON Hour is the period for which the auxiliary supply is ON. Number of Interruptions indicates the number of times the Auxiliary Supply was interrupted. All these parameters are displayed in both utility & generator mode.

RISH EM 3490 DS



Energy Count storage:

In case of power failure, the instrument memorizes the last energy count. Every 40 sec, the instrument updates the energy counter in the non-volatile memory.

Programmable Energy format & Energy rollover count:

Customer can assign the format for energy display on MODBUS (RS485) in terms of Wh, kWh or MWh. Additional to this, customer can also set a rollover count from 7 to 13 digits (for Wh), 7 to 11 digits (for kWh) and 7 & 8 digits (for MWh), after which the energy will roll back to zero. The above settings are applicable for all types of energy.

Old Register

This register holds the value before the last reset. The old value will be available when scrolled through screen.

Optional MODBUS (RS485) Output

The optional MODBUS output enables the instrument to transmit all the measured parameters over standard MODBUS (RS485).

Optional Pulse Output

The instrument has optional pulse output one for Utility and another for Generator. The optional pulse output is a potential free, very fast acting relay contact which can be used to drive an external mechanical counter for energy measurement.

Configuration of the Instrument via MODBUS: The instrument settings can be configured locally via front panel keys by entering into Programming mode or remotely via MODBUS (RS485). Note: The MODBUS

communication parameters can only be set locally via front panel keys in the Programming mode.

Enclosure Protection for dust and water:

conforms to IP 54 (front face) as per IEC60529

Compliance to International Safety standards

Compliance to International Safety standard IEC 61010-1- 2001

EMC Compatibility

Compliance to International standard IEC 61326.



RISHABH
INSTRUMENTS
Measure, Control & Record with a Difference

RISHABH INSTRUMENTS PVT.LTD.

F-31, MIDC, Satpur, Nashik-422 007, India.

Tel.: +91 253 2202160, 2202202 Fax : +91 253 2351064

E-mail : India :- marketing@rishabh.co.in

International :- exp.marketing@rishabh.co.in

www.rishabh.co.in

RISH EM 3490 DS Dual Source Energy Meter

Technical Specifications:

Input Voltage:

Nominal input voltage (AC RMS)	Phase –Neutral	57.7 - 277V L-N
	Line-Line	100 - 480V L-L
Max continuous input voltage		120% of rated value

Input Current:

Nominal input current	1 and 5A AC RMS (to be specified while ordering)
System CT primary values	Std. values up to 9999A
Max continuous input current	120% of rated value
Starting current	0.4 % of In (In = Nominal Current)

Auxiliary Supply:

AC Auxiliary Supply	110 V AC -15% / +20%
	230 V AC -15% / +20%
	380 V AC -15% / +20%
ACDC Auxiliary Supply	100V... 250 VAC DC
DC Auxiliary Supply	12.....48 VDC
AC Auxiliary supply frequency range	45 to 66 Hz

VA Burden:

Nominal input voltage burden	< 0.2 VA approx. per phase
Nominal input current burden	< 0.6 VA approx. per phase
AC Supply burden	4 VA

Overload Withstand:

Voltage	2 x rated value for 1 second, repeated 10 times at 10 second intervals
Current	20x for 1 second, repeated 5 times at 5 min

Operating Measuring Ranges

Voltage	5... 120% of rated value
Current	5 ... 120% of rated value
Frequency	40...70 Hz
Power Factor	0.5 Lag ... 1... 0.8 Lead

Reference conditions for Accuracy:

Reference temperature	23°C +/- 2°C
Input waveform	Sinusoidal (distortion factor 0.005)
Input frequency	50 or 60 Hz ±2%
Auxiliary supply voltage	Rated Value ±1%
Auxiliary supply frequency	Rated Value ±1%
Voltage	50... 100% of Nominal value
Current	10... 100% of Nominal value
Power	10... 100% of Nominal Current & 50... 100% of Nominal Voltage
Power Factor	0.5 lag....1....0.8 lead

Accuracy:

Voltage	±0.5% of range
Current	±0.5% of range
Frequency	0.15% of mid frequency
Active Power	±0.5% of range
Reactive Power	±0.5% of range
Apparent Power	±0.5% of range
Active energy (kWh)	1 % (IEC 62053-21) Active P.F. 0.5 lag... 1...0.8 lead
Power Factor	1 % of Unity
Phase angle	1 % of range

Measurement error is normally much less than the error specified above.

Variation due to influence quantity is less than twice the error allowed for reference condition

Generator Sensor:

10 to 60 VDC / 20 to 300 VAC (For monitoring generator ON or OFF).



RISHABH
INSTRUMENTS
Measure, Control & Record with a Difference

RISHABH INSTRUMENTS PVT.LTD.
F-31, MIDC, Satpur, Nashik-422 007, India.
Tel.: +91 253 2202160, 2202202 Fax : +91 253 2351064
E-mail : India :- marketing@rishabh.co.in
International :- exp.marketing@rishabh.co.in
www.rishabh.co.in

RISH EM 3490 DS Dual Source Energy Meter

Technical Specifications:

Applicable Standards:

EMC	IEC 61326
Immunity	IEC 61000-4-3. 10V/m min – Level 3 industrial low level
Safety	IEC 61010-1-2001 , Permanently connected use
IP for water & dust	IEC60529
Pollution degree:	2
Installation category:	CAT III 300V ac rms
High Voltage Test	2.2 kV AC, 50Hz for 1 minute between all electrical circuits

Environmental

Operating temperature	-10 to +55°C
Storage temperature	-20 to +65°C
Relative humidity	0... 90% non condensing
Warm up time	Minimum 3 minute
Shock	15g in 3 planes
Vibration	10... 55 Hz, 0.15mm amplitude
Enclosure	Ip54 (front face only)

Enclosure style:

Enclosure style	96 X 96 DIN Quadratic)
Enclosure material	Polycarbonate (Self extinguish & non dripping as per UL 94 V-0)
Terminals	M4 Screw Type
Fixing	4 side clamps

Pulsed Output Option:

Two optional pulse outputs are provided one for Utility pulse out and another for Generator pulse out
 Relay Contact One Normally open

Divisor	Pulse Rate	
	Pulse	System power*
1	1 per Whr	Up to 3600W
	1 per kWhr	Up to 3600kW
	1 per MWhr	Above 3600kW
10	1 per 10 Whr	Up to 3600W
	1 per 10 kWhr	Up to 3600kW
	1 per 10 MWhr	Above 3600kW
100	1 per 100 Whr	Up to 3600W
	1 per 100 kWhr	Up to 3600kW
	1 per 100 MWhr	Above 3600kW
1000	1 per 1000 Whr	Up to 3600W
	1 per 1000 kWhr	Up to 3600kW
	1 per 1000 MWhr	Above 3600kW

Note: Divisor 10,100,1000 is applicable only when Energy Display on RS485 is selected in terms of Watts

- *System Power = $CT(Primary) \times PT(Primary)$ for single Phase
- *System Power = $3 \times CT(Primary) \times PT(Primary)L-N$ for Three Phase four wire
- *System Power = $Root3 \times CT(Primary) \times PT(Primary)L-L$ for Three Phase three wire

Pulse Width = 60mS, 100mS, 200mS



RISHABH
INSTRUMENTS
 Measure, Control & Record with a Difference

RISHABH INSTRUMENTS PVT.LTD.
 F-31, MIDC, Satpur, Nashik-422 007, India.
 Tel.: +91 253 2202160, 2202202 Fax : +91 253 2351064
 E-mail : India :- marketing@rishabh.co.in
 International :- exp.marketing@rishabh.co.in
 www.rishabh.co.in

RISH EM 3490 DS Dual Source Energy Meter

PT Secondary Ranges for Various Input Voltage:

Input Voltage	PT Secondary Settable Range
110V L-L (63.5V L-N)	100V – 120V L-L (57V – 69V L-N)
230V L-L (133V L-N)	121V – 240V L-L (70V – 139V L-N)
415V L-L (239.6V L-N)	241V – 480V L-L (140V – 277V L-N)

Displayed Parameters:

Sr No	Parameters	3 Phase 4 Wire	3 Phase 3 Wire	1 Phase 2 Wire
1.	System Volts	✓	✓	✓
2.	System Current	✓	✓	✓
3.	Volts L1 – N	✓	✗	✗
4.	Volts L2 – N	✓	✗	✗
5.	Volts L3 – N	✓	✗	✗
6.	Volts L1 – L2	✓	✓	✗
7.	Volts L2 – L3	✓	✓	✗
8.	Volts L3 – L1	✓	✓	✗
9.	Current L1	✓	✓	✗
10.	Current L2	✓	✓	✗
11.	Current L3	✓	✓	✗
12.	Frequency	✓	✓	✓
13.	System Active Power (kW)	✓	✓	✓
14.	Active Power L1 (kW)	✓	✗	✗
15.	Active Power L2 (kW)	✓	✗	✗
16.	Active Power L3 (kW)	✓	✗	✗
17.	System Apparent Power (kVA)	✓	✓	✓
18.	Apparent Power L1 (kVA)	✓	✗	✗
19.	Apparent Power L2 (kVA)	✓	✗	✗
20.	Apparent Power L3 (kVA)	✓	✗	✗
21.	System Power Factor	✓	✓	✓
22.	Power Factor L1	✓	✗	✗
23.	Power Factor L2	✓	✗	✗
24.	Power Factor L3	✓	✗	✗
25.	Utility Import kWh	✓	✓	✓
26.	Utility Run Hour	✓	✓	✓
27.	Utility On Hour	✓	✓	✓
28.	Utility Number of Interruptions	✓	✓	✓
29.	Generator Import kWh	✓	✓	✓
30.	Generator Run Hour	✓	✓	✓
31.	Generator On Hour	✓	✓	✓
32.	Generator Number of Interruptions	✓	✓	✓
33.	Total Run Hour	✓	✓	✓
34.	Total On Hour	✓	✓	✓
35.	Old Utility Import kWh	✓	✓	✓
36.	Old Utility Run Hour	✓	✓	✓
37.	Old Utility On Hour	✓	✓	✓
38.	Old Utility Number of Interruptions	✓	✓	✓
39.	Old Generator Import kWh	✓	✓	✓
40.	Old Generator Run Hour	✓	✓	✓
41.	Old Generator On Hour	✓	✓	✓
42.	Old Generator Number of Interruptions	✓	✓	✓
43.	Old Total Run Hour	✓	✓	✓
44.	Old Total On Hour	✓	✓	✓
45.	Phase Reversal Indication	✓	✓	✗



RISH EM 3490 DS Dual Source Energy Meter

Parameters Through MODBUS:

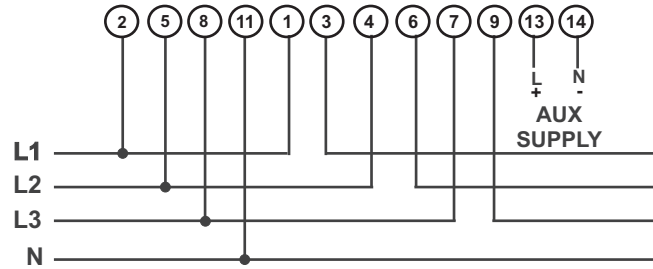
Sr No	Parameters	3 Phase 4 Wire	3 Phase 3 Wire	1 Phase 2 Wire
1.	System Volts	✓	✓	✓
2.	System Current	✓	✓	✓
3.	Volts L1 – N	✓	✗	✗
4.	Volts L2 – N	✓	✗	✗
5.	Volts L3 – N	✓	✗	✗
6.	Volts L1 – L2	✓	✓	✗
7.	Volts L2 – L3	✓	✓	✗
8.	Volts L3 – L1	✓	✓	✗
9.	Current L1	✓	✓	✗
10.	Current L2	✓	✓	✗
11.	Current L3	✓	✓	✗
12.	Neutral Current	✓	✗	✗
13.	Frequency	✓	✓	✓
14.	System Active Power (kW)	✓	✓	✓
15.	Active Power L1 (kW)	✓	✗	✗
16.	Active Power L2 (kW)	✓	✗	✗
17.	Active Power L3 (kW)	✓	✗	✗
18.	System Re-active Power (kVAr)	✓	✓	✓
19.	Re-active Power L1 (kVAr)	✓	✗	✗
20.	Re-active Power L2 (kVAr)	✓	✗	✗
21.	Re-active Power L3 (kVAr)	✓	✗	✗
22.	System Apparent Power (kVA)	✓	✓	✓
23.	Apparent Power L1 (kVA)	✓	✗	✗
24.	Apparent Power L2 (kVA)	✓	✗	✗
25.	Apparent Power L3 (kVA)	✓	✗	✗
26.	System Power Factor	✓	✓	✓
27.	Power Factor L1	✓	✗	✗
28.	Power Factor L2	✓	✗	✗
29.	Power Factor L3	✓	✗	✗
30.	System Phase Angle	✓	✓	✓
31.	Phase Angle L1	✓	✗	✓
32.	Phase Angle L2	✓	✗	✗
33.	Phase Angle L3	✓	✗	✗
34.	Import kWh (Utility /Generator)	✓	✓	✓
35.	kVAh (Utility /Generator)	✓	✓	✓
36.	Run Hour (Utility /Generator / Total)	✓	✓	✓
37.	On Hour (Utility /Generator / Total)	✓	✓	✓
38.	Number of Interruptions (Utility /Generator)	✓	✓	✓
39.	Old Import kWh (Utility /Generator)	✓	✓	✓
40.	Old Run Hour (Utility /Generator / Total)	✓	✓	✓
41.	Old On Hour (Utility /Generator / Total)	✓	✓	✓
42.	Old Number of Interruptions (Utility /Generator)	✓	✓	✓



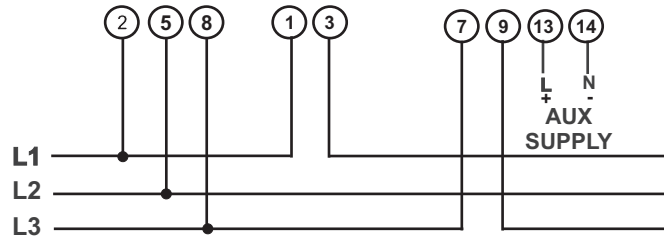
RISH EM 3490 DS Dual Source Energy Meter

Electrical Connections:

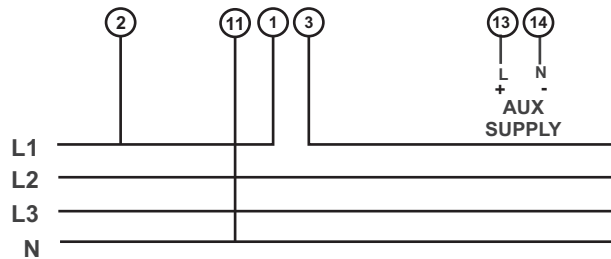
For 3 Phase 4 Wire Unbalanced Load



For 3 Phase 3 Wire Unbalanced Load



For Single Phase



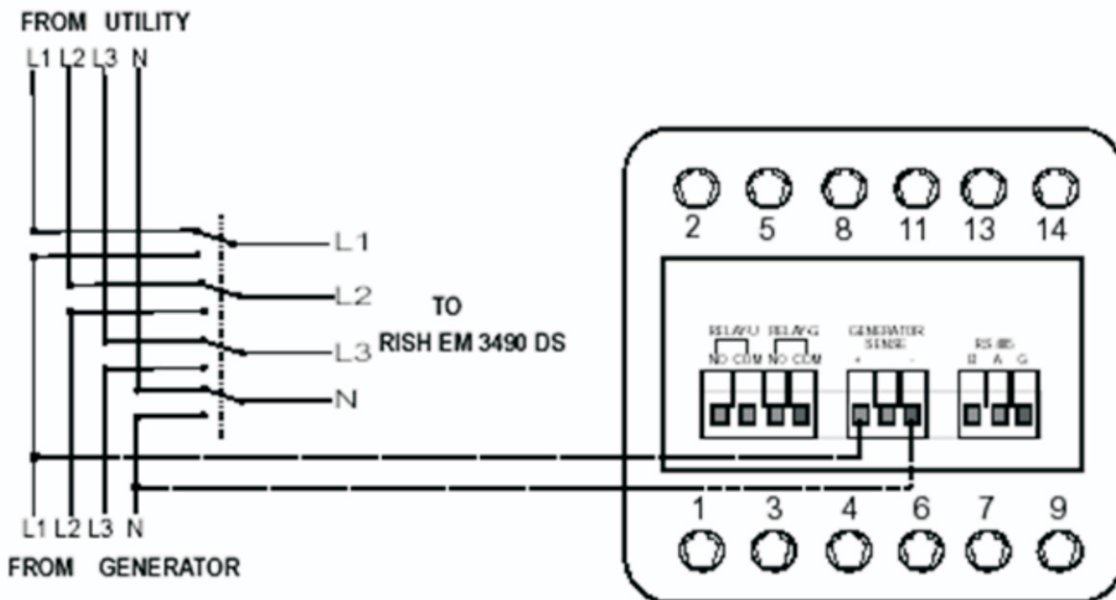
It is recommended that the wires used for connections to the instrument should have lugs soldered at the end. That is, the connections should be made with Lugged wires for secure connections. The Maximum diameter of the lug should be 7.0 mm and maximum thickness 3.5 mm.

Permissible cross section of the connection wires: $\leq 4.0 \text{ mm}^2$ single wire or $2 \times 2.5 \text{ mm}^2$ fine wire.



RISH EM 3490 DS Dual Source Energy Meter

Generator Sense Connection diagram.

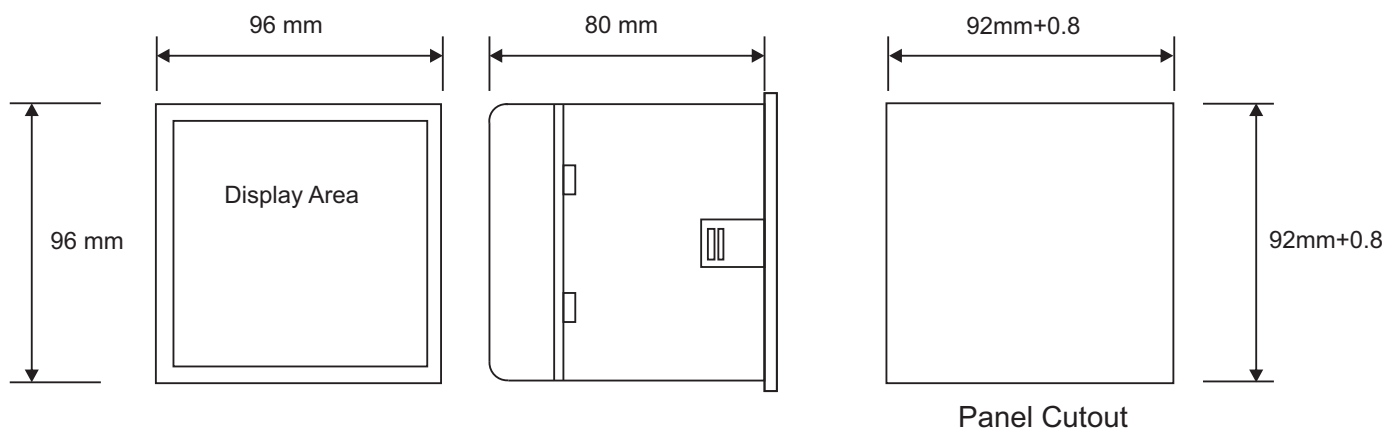


Generator Sense Voltages

AC Voltage : 20VAC to 300VAC

DC Voltage : 10VDC to 60VDC

Dimensions



RISHABH
INSTRUMENTS
Measure, Control & Record with a Difference

RISHABH INSTRUMENTS PVT.LTD.
F-31, MIDC, Satpur, Nashik-422 007, India.
Tel.: +91 253 2202160, 2202202 Fax : +91 253 2351064
E-mail : India :- marketing@rishabh.co.in
International :- exp.marketing@rishabh.co.in
www.rishabh.co.in

RISH EM 3490 DS Dual Source Energy Meter

Parameter Measurement and Display:

Ordering information	Ordering Code <i>RISH EM 3490 DS</i>
System Type (Connection network)	
3 Phase (programmable as 4 Wire or 3 Wire on site)	3
1 Phase	1
Input Voltage	
110V L-L (63.5V L-N)	110
230V L-L (133V L-N)	230
415V L-L (239.6V L-N)	415
440V L-L (254V L-N)	440
Input Current	
5 Amps	5
1 Amps	1
AC Auxiliary Voltage	
110 V AC -15% / +20%	L
230 V AC -15% / +20%	M
380 VAC-15% / +20 %	H
AC/DC Auxiliary Supply Voltage	
100 – 250V AC/DC +/- 10%	AD
12V... 48V V DC +/- 10 %	D
Optional:	
MODBUS (RS485) output	R
MODBUS Option not used	Z
Optional: Pulse Output for energy measurement	
Pulse output (Utility / Generator)	UG
Pulse Output option not used	Z

Order Code Example:

RISH Master 3490DS – 3– 415-AD-R-UG

RISH Master 3490DS, Rish EM 3490 DS, 3 phase(programmable onsite as 4 wire or 3 Wire), 415L-L nominal voltage, 5Amps nominal input current, 100 – 250V AC DC Auxiliary supply, with MODBUS (RS485), with pulse output.

Types	AC Aux (110V, 230V, 380V)	100...250VACDC Aux	12...48 VDC Aux
3490 DS	✓	✓	✓
3490 DS + 2 pulse	✓	✓	✓
3490 DS + Rs485	✓	✓	✓
3490 DS + 2 pulse + Rs485	✗	✓	✓

Rishabh Instruments always tries for Improvement and therefore product specifications are subject to change without notice



RISHABH
INSTRUMENTS
Measure, Control & Record with a Difference

RISHABH INSTRUMENTS PVT.LTD.
F-31, MIDC, Satpur, Nashik-422 007, India.
Tel.: +91 253 2202160, 2202202 Fax : +91 253 2351064
E-mail : India :- marketing@rishabh.co.in
International :- exp.marketing@rishabh.co.in
www.rishabh.co.in